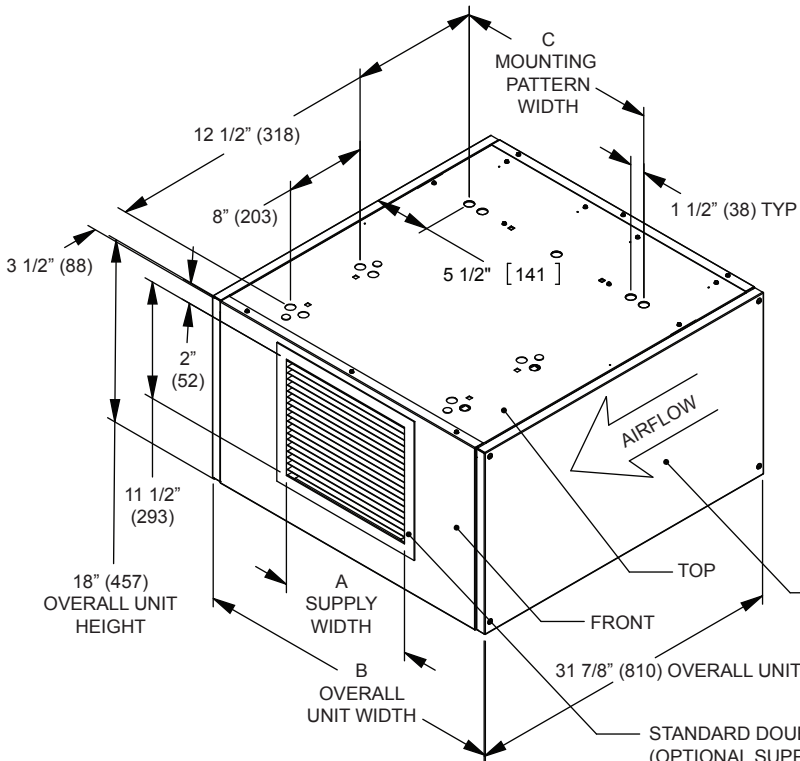


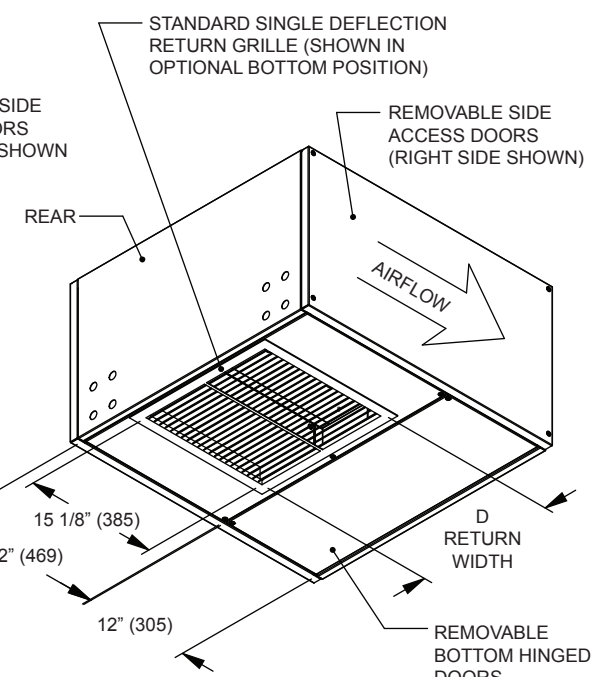
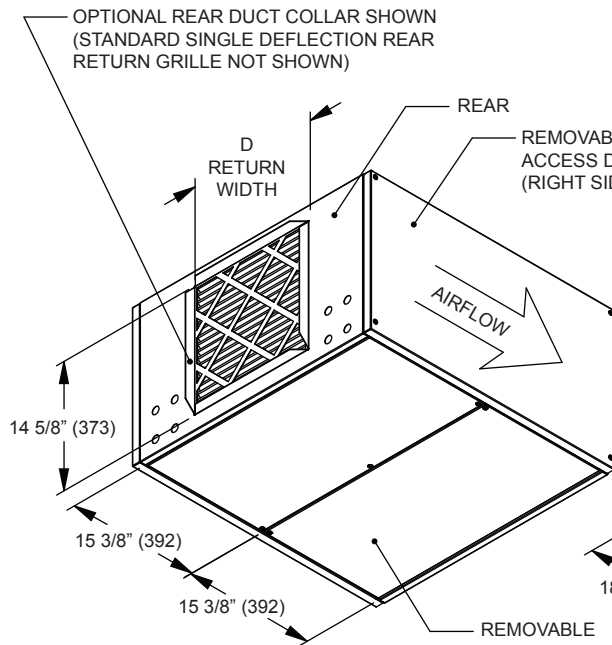
KHGE Dimensional Information

KHGE ISOMETRIC VIEWS



DIMENSIONAL REFERENCES

Unit Size	A	B	C	D
6	13 1/2" (343)	31 1/4" (794)	20" (508)	15 1/2" (394)
8	18 1/2" (470)	36 1/4" (921)	25" (635)	19 1/2" (495)
10	22 1/2" (572)	40 1/4" (1022)	29" (737)	24 1/2" (622)
12	27 1/2" (699)	45 1/4" (1149)	34" (864)	31 1/2" (800)
14	32 1/2" (826)	50 1/4" (1276)	39" (991)	35 1/2" (902)
16	37 1/2" (953)	55 1/4" (1403)	44" (1118)	39 1/2" (1003)
18	42 1/2" (1080)	60 1/4" (1530)	49" (1245)	44 1/2" (1130)
20	46 1/2" (1181)	64 1/4" (1632)	53" (1346)	49 1/2" (1257)



KHGE CONTROL ENCLOSURE SIZES

10 x 16 x 6 (250 x 406 x 152)
10 x 20 x 6 (250 x 500 x 152)

NOTE: Control enclosure size is determined by electrical components selected.

NOTES: All dimensions are in inches (millimeters) and are +/- 1/8". Internal hinged electrical enclosure not shown. Optional 1" or 2" pleated filters available (shown) standard 1" throwaway filter not shown. 1 1/4" duct collar standard on all ducted units. It is recommended to provide 3' access on pipe connection side. Provide access clearance for electrical enclosure per local and national electrical code requirements.

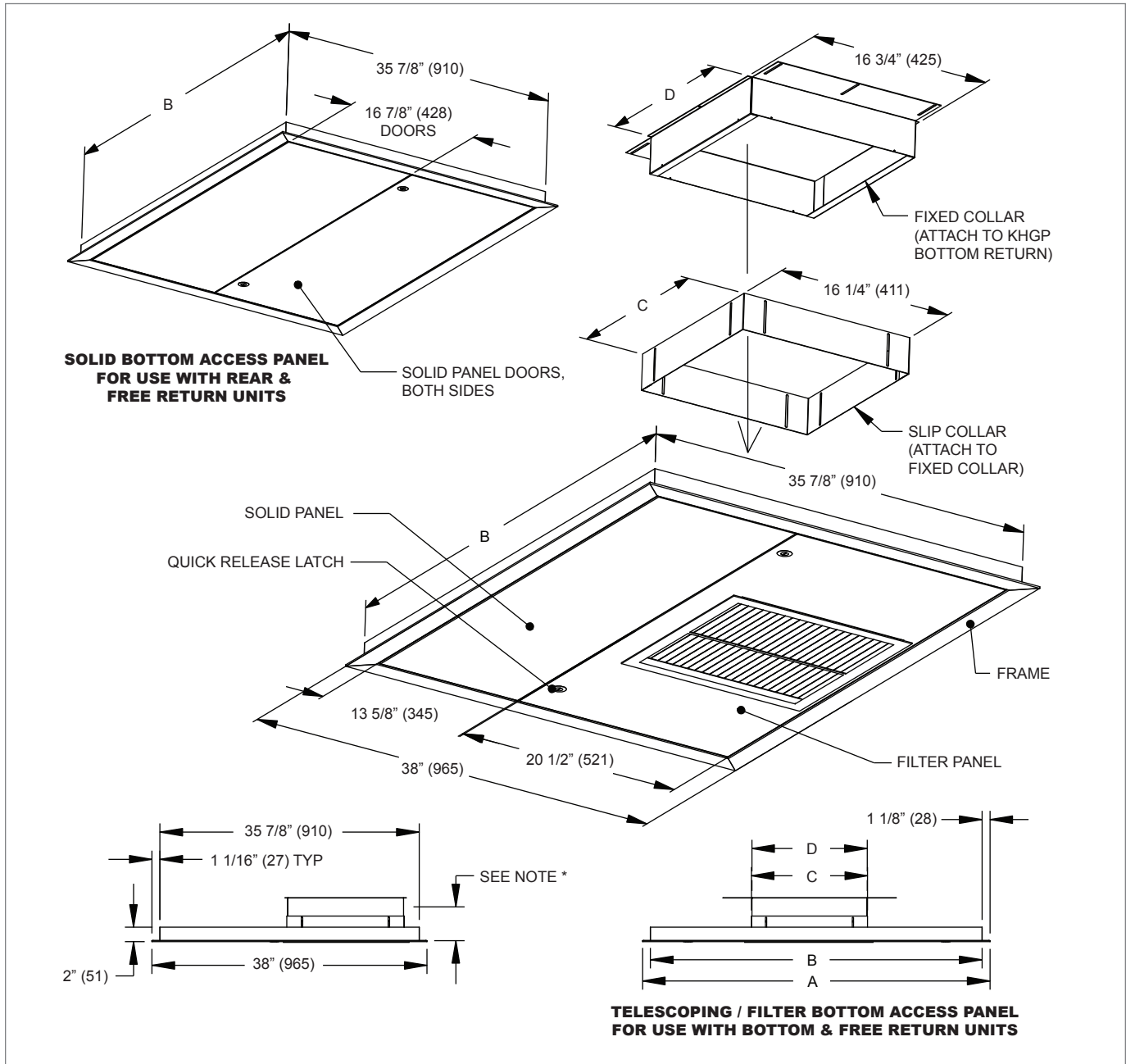
FAN COILS

KHG - SERIES

© KRUEGER 2012

KHG Series Dimensional Information

KHG SERIES TELESCOPING / FILTER AND SOLID BOTTOM ACCESS PANELS



KHG SERIES TELESCOPING / FILTER AND SOLID BOTTOM ACCESS PANELS DIMENSIONAL REFERENCES

Unit Size	A	B	C	D	Recommended Ceiling Cutout
6	48" (1219)	45 7/8" (1164)	16" (408)	15 7/8" (404)	46 1/8" x 36 1/8" (1171 x 918)
8	53" (1346)	50 7/8" (1291)	20" (509)	19 7/8" (506)	51 1/8" x 36 1/8" (1298 x 918)
10	57" (1448)	54 7/8" (1392)	25" (636)	24 7/8" (633)	55 1/8" x 36 1/8" (1400 x 918)
12	62" (1575)	59 7/8" (1519)	32" (814)	31 7/8" (811)	60 1/8" x 36 1/8" (1527 x 918)
14	67" (1702)	64 7/8" (1646)	36" (916)	35 7/8" (912)	65 1/8" x 36 1/8" (1654 x 918)
16	72" (1829)	69 7/8" (1773)	40" (1017)	39 7/8" (1014)	70 1/8" x 36 1/8" (1781 x 918)
18	77" (1956)	74 7/8" (1900)	45" (1144)	44 7/8" (1141)	75 1/8" x 36 1/8" (1908 x 918)
20	81" (2057)	78 7/8" (2002)	50" (1271)	49 7/8" (1268)	79 1/8" x 36 1/8" (2009 x 918)

NOTES: All dimensions are in inches (millimeters) and are +/- 1/8". 1" TAW filter standard, 1" or 2" pleated filters are optional. Bottom panels are removable. Filter and grille sizes are the same for each unit size in the KHG product line.

* Total telescoping adjustment is 3 1/2" to 6 1/2".